

Formulate 20' Serpentine - Kit 4

FMLT-WSC20-04

Formulate® is a collection of sophisticated, ergonomically designed exhibit booths. Formulate combines state-of-the-art zipper pillowcase dye-sublimated fabric coverings with advanced lightweight aluminum structures to provide unique design, functionality, and style. The excellence of the Formulate line of displays, hanging structures and products is simply unmatched. Stretch fabric graphics are hand-sewn, durable and dry-cleanable.



features and benefits:

- State-of-the-art 50mm aluminum tubing with heavy duty internal spigot connectors
- Hardware mounts for a small sized monitor; max 37" / 40 lbs
- Top and bottom printed infill panels on accent ladder
- Kit includes: one frame, one dye-sublimated zipper pillowcase graphic, monitor mount, side table, and two wheeled molded OCL and one OCH2 storage cases
- Lifetime hardware warranty against manufacturer defects

dimensions:

Hardware	Graphic
<p>Assembled unit: 226.03" w x 93.14" h x 32.99" d</p> <p>Stand-off Monitor mount with side table: 36.3" w x 92.7" h x 28.75" d Table dimensions: 20.47" w x 11.81" d</p> <p>Approximate weight (includes graphic): 92 lbs / 41.7 kgs</p>	<p>Refer to related graphic template for more information.</p> <p>Visit: www.exhibitors-handbook.com/graphic-templates</p>
<p>Shipping</p> <p>Shipping dimensions - ships in 3 cases: 2 OCL cases (each): 19" l x 19" w x 56" h 1 OCH2 case: 52" l x 30" w x 15" h</p> <p>Approximate shipping weight (with case): 162 lbs / 73.5 kgs</p>	

additional information:

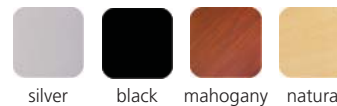
Graphic material: dye-sublimated zipper pillowcase fabric, 3mm white pvc

Counter: max weight = 10 lbs / 4.5 kgs

Monitor mount: max size is 37" / 40 lbs

*Kit does not include monitor

Table colors:



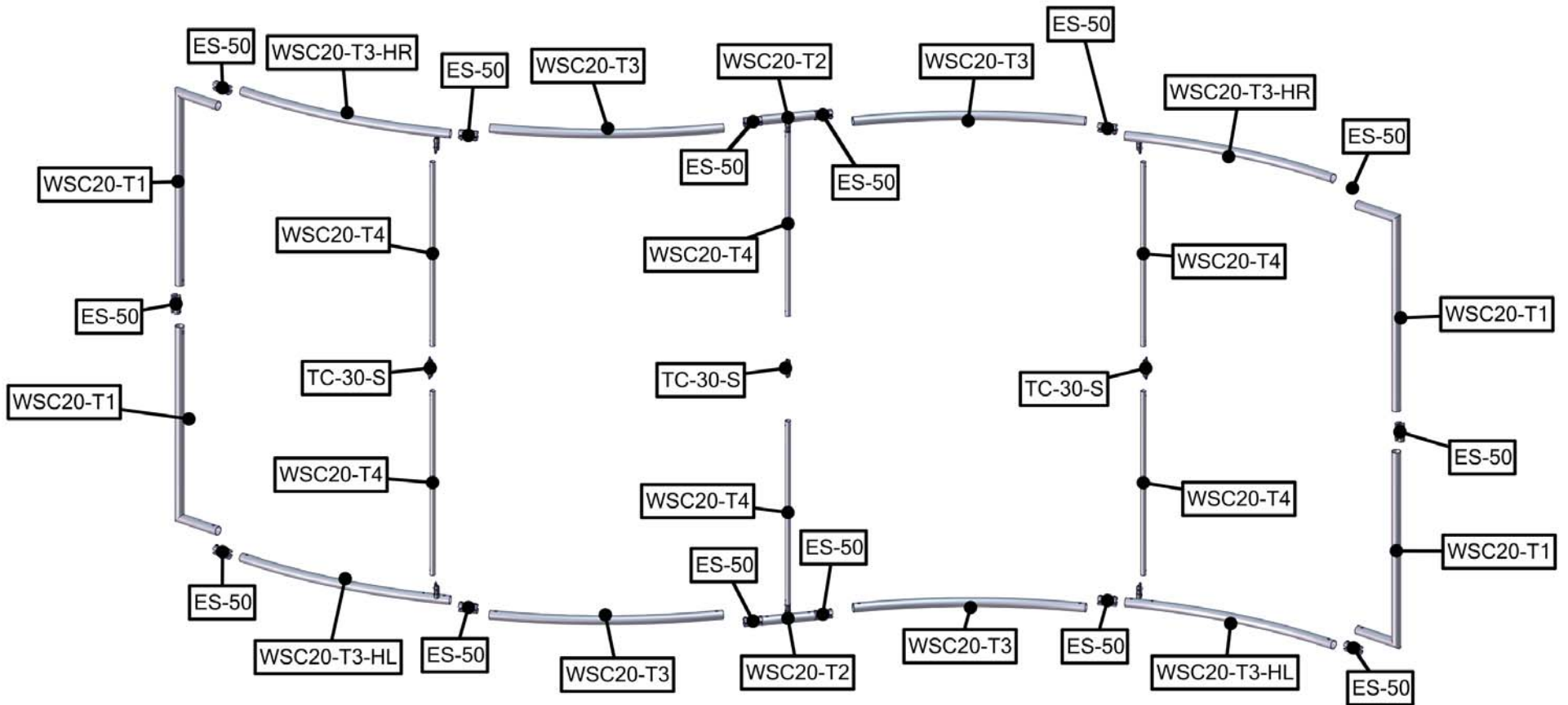
silver black mahogany natural

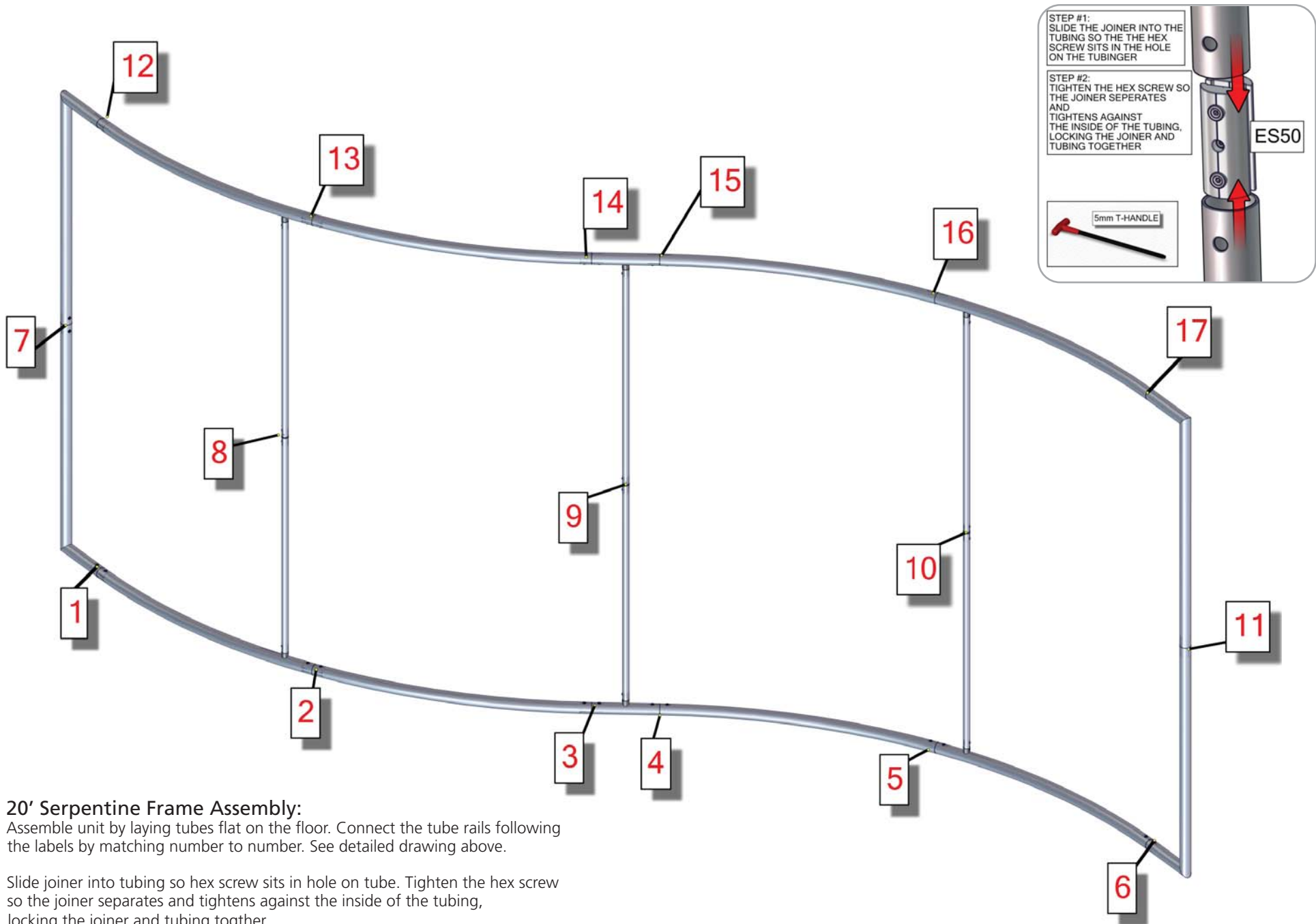


www.display-setup-animations.com

We are continually improving and modifying our product range and reserve the right to vary the specifications without prior notice. All dimensions and weights quoted are approximate and we accept no responsibility for variance. E&OE. See Graphic Templates for graphic bleed specifications.

Parts Included		
Part Label	Qty	Part Code
EXPANDING SPIGOT FOR 50MM TUBE	x14	ES-50
20' FABRIC GRAPHIC	x1	WSC20-01-G
INLINE CONNECTOR FOR 30MM TUBING	x3	TC-30-S
50MM CORNER TUBE	x4	WSC20-T1
300MM X 50MM TUBE	x2	WSC20-T2
R2736MM X 50MM TUBE	x4	WSC20-T3
R2736MM X 50MM CURVED TUBE WITH HOLE RIGHT SIDE	x2	WSC20-T3-HR
R2736MM X 50MM CURVED TUBE WITH HOLE LEFT SIDE	x2	WSC20-T3-HL
1093MM X 30MM TUBE	x6	WSC20-T4





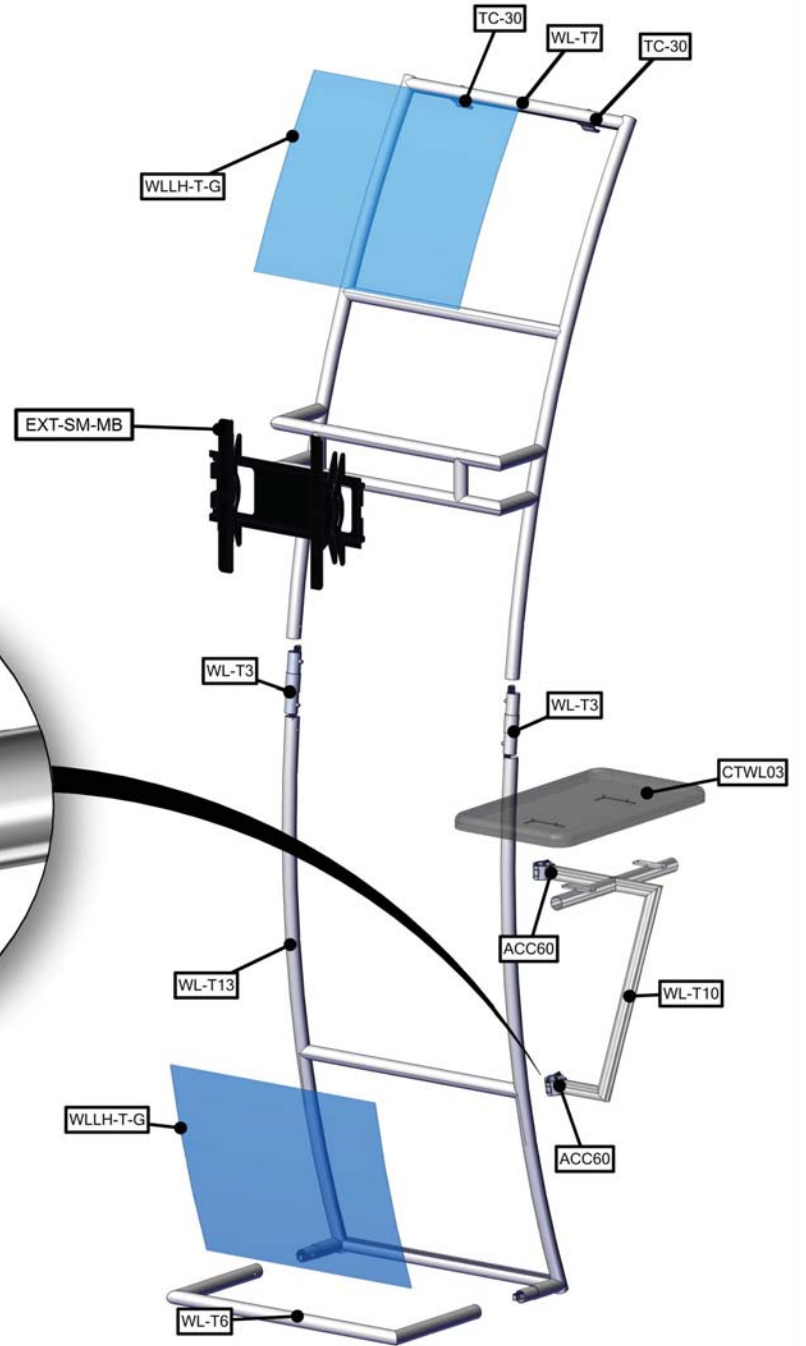
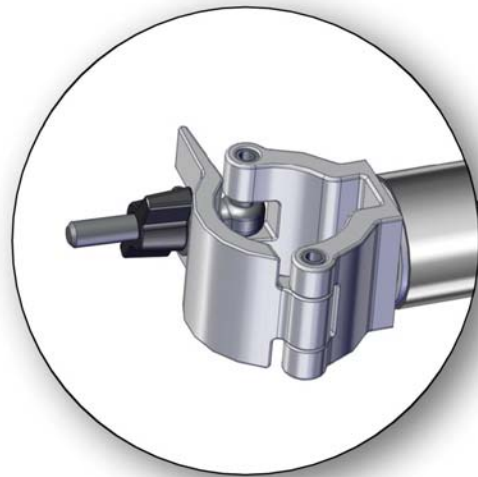
20' Serpentine Frame Assembly:

Assemble unit by laying tubes flat on the floor. Connect the tube rails following the labels by matching number to number. See detailed drawing above.

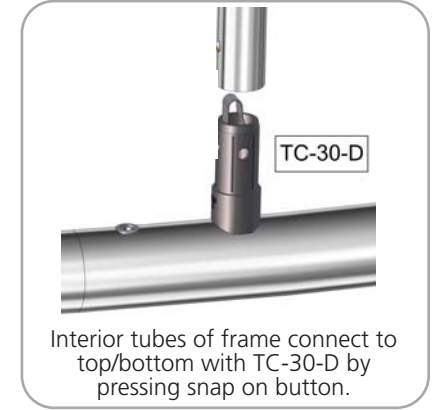
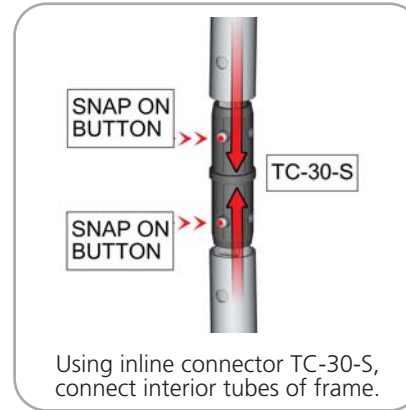
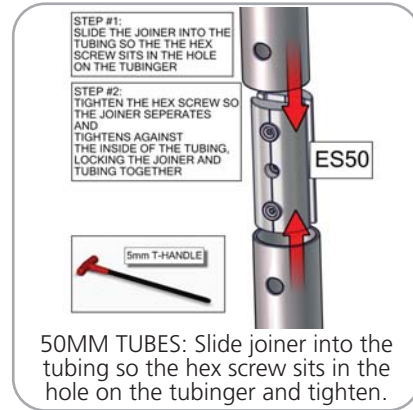
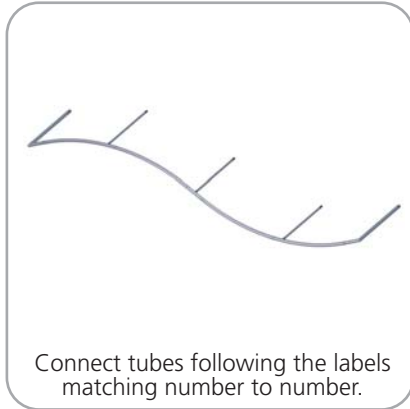
Slide joiner into tubing so hex screw sits in hole on tube. Tighten the hex screw so the joiner separates and tightens against the inside of the tubing, locking the joiner and tubing together.

At connection 8, 9 and 10, connect tubes by pressing snap on button, lining up holes and securing button in hole.

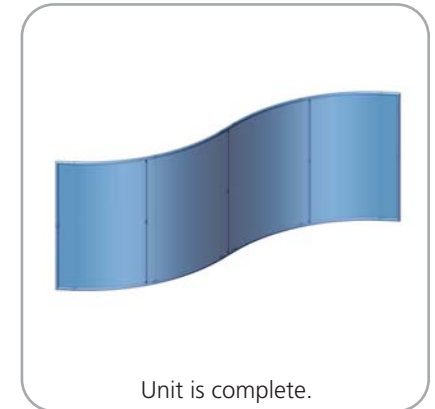
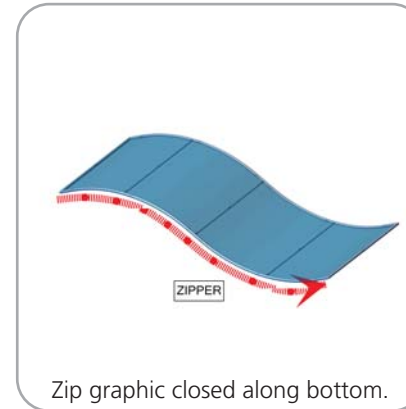
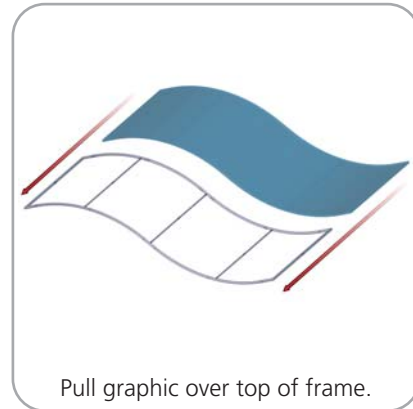
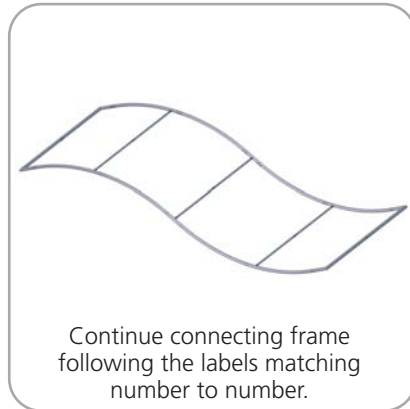
Parts Included		
Part Label	Qty	Part Code
30MM TUBE CLAMP	x2	ACC60
SMALL MONITOR BRACKET	x1	EXT-SM-MB
520 X 300 X 30 COUNTER	x1	CTWL03
PARALLEL TUBE CLAMP FOR 30MM TUBES	x2	TCP-3030
30MM TUBE SECTION	x2	WL-T3
TOP SINTRA GRAPHICS	x2	WLLH-T-G
30MM TUBE SECTION	x1	WL-T13
30MM TUBE SECTION	x1	WL-T6
30MM TUBE SECTION	x1	WL-T7
RWL-T10	x1	RWL-T10



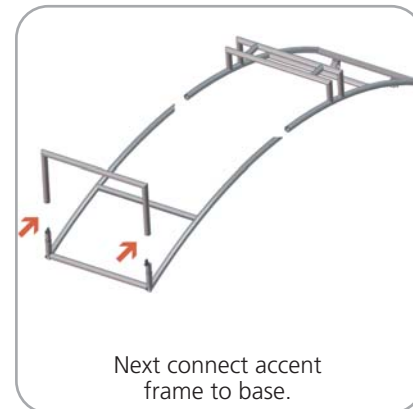
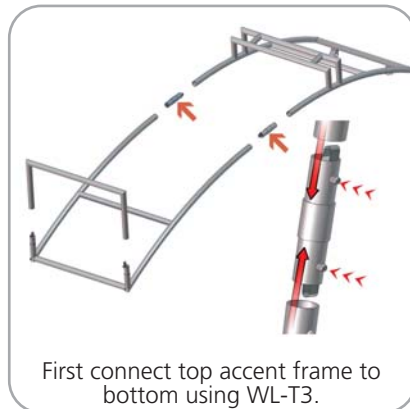
STEP 1: ASSEMBLE FRAME



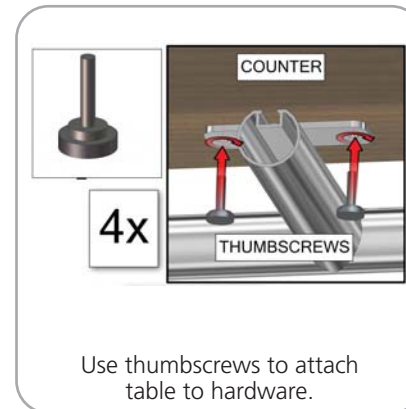
STEP 2: ATTACH GRAPHIC



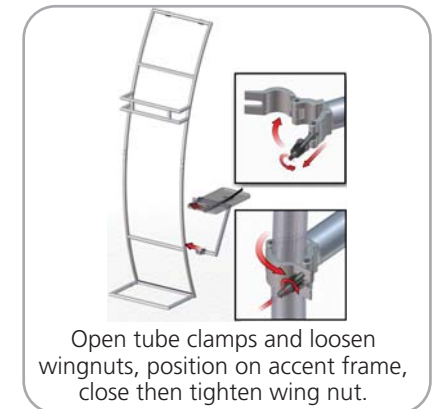
STEP 3: ASSEMBLE FRAME



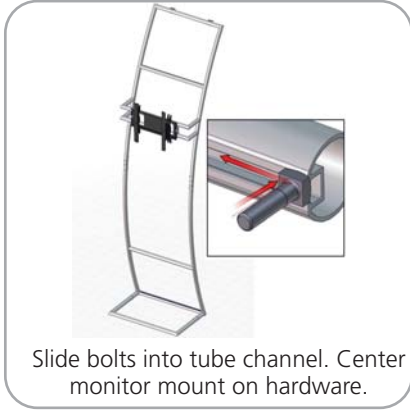
STEP 4: ATTACH TABLE



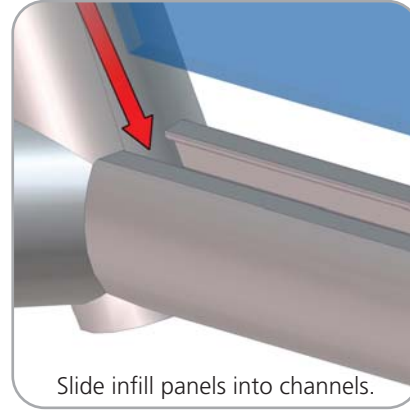
STEP 5: ATTACH TABLE TO ACCENT FRAME



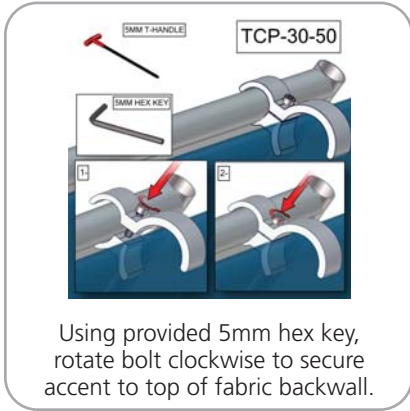
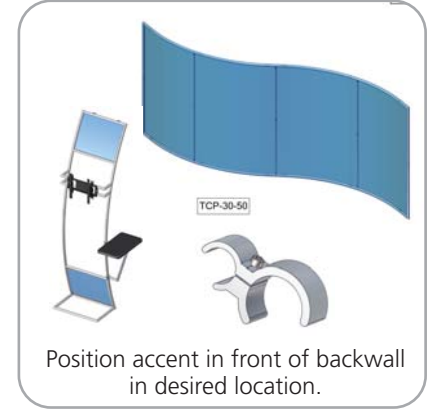
STEP 6: INSTALL MONITOR MOUNT



STEP 7: ATTACH GRAPHICS



STEP 8: ATTACH TO BACKWALL WITH CLAMPS



Monitor Bracket Instructions

Extrusion Channel Applications



EXT-SM-MB

Sizes: 17" - 37"

Max weight varies per application



EXT-M-MB

Sizes: 32" - 55"

Max weight varies per application

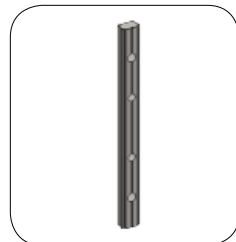


EXT-LG-MB

Sizes: 40" - 65"

Max weight varies per application

Included hardware:



LN-100

x2



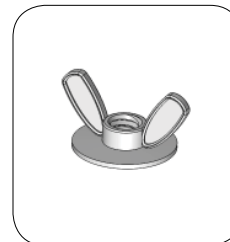
LN-LCD-SCW

x2



Square Bolt

x2

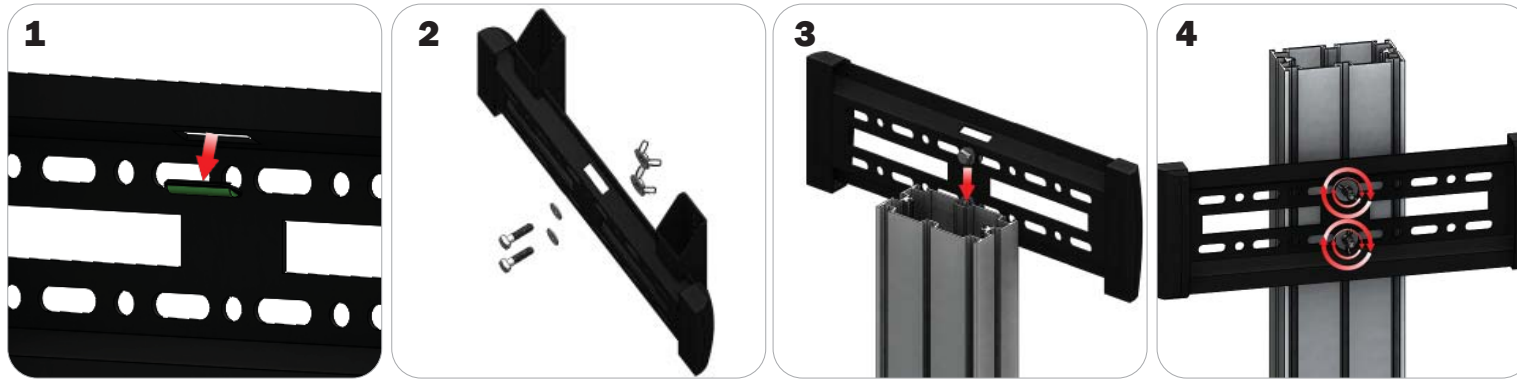


Wingnut

x2

EXTRUSION CONNECTION

Channel Connection A

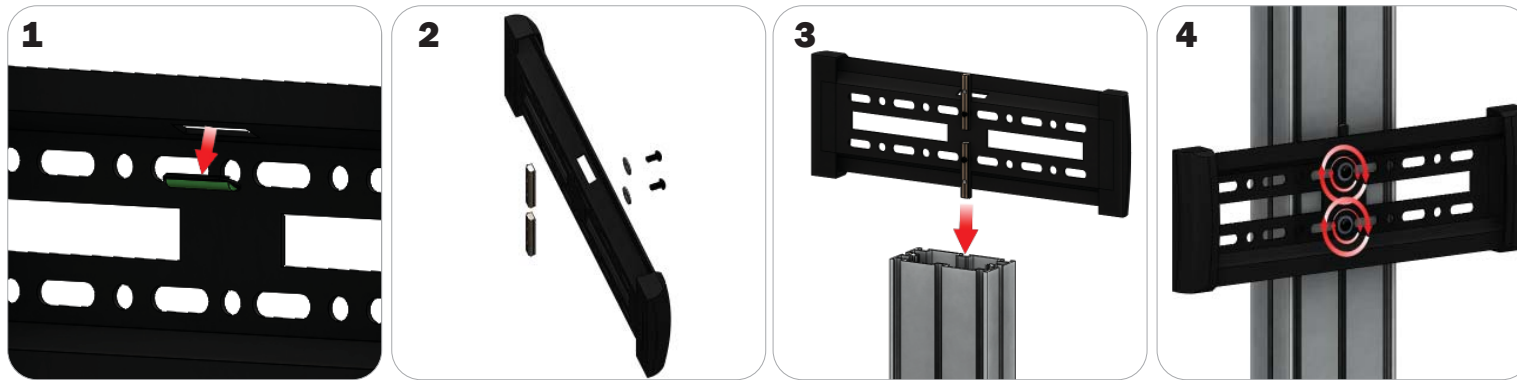


Locate all components needed to assemble the monitor mount with the channel connection A method. You will need (1) monitor bracket, (2) square head bolts, (2) washers, and (2) wingnuts.

Step 1: Apply pressure to the rear side of the leveling gauge clipped into the monitor mount to remove it. **Step 2:** Insert the provided bolts through the washers and center top and bottom holes of the monitor mount. Loosely thread your wingnuts onto the end of the bolts. **Step 3:** Slide the bolt heads down the extrusion channel.

Step 4: Tighten your wingnuts to lock the monitor bracket in place. **Step 5:** Reference the included manufacturer monitor mount instructions for fastening your monitor to the bracket.

Channel Connection B



Locate all components needed to assemble the monitor mount with the channel connection B method. You will need (1) monitor bracket, (2) LN-LCD-SCW, (2) LN-100, and (2) washers.

Step 1: Apply pressure to the rear side of the leveling gauge clipped into the monitor mount to remove it. **Step 2:** Loosely thread the LN-LCD-SCW screws through the washers, the center top and bottom holes of the monitor bracket, and through the LN-50 holes. **Step 3:** Slide the LN-100s down the extrusion channel. **Step 4:** Tighten your LN-LCD-SCW to lock the monitor bracket in place.

Step 5: Reference the included manufacturer monitor mount instructions for fastening your monitor to the bracket.

TRI-30MM Channel Tube Connection



Locate all components needed to assemble the monitor mount with the TRI-30MM Channel Tube Connection method. You will need (1) monitor bracket, (2) Square Bolts, and (2) Wingnuts.

Step 1: Slip the head of the square bolts into the extrusion channel of the tube. **Step 2:** Apply your monitor bracket to the protruding square bolts. **Step 3:** Lock your monitor bracket to the square bolts using the provided wingnuts. **Step 4:** Reference the included manufacturer monitor mount instructions for fastening your monitor to the bracket.