

# Formulate 10' Vertical Curve - Kit 5

## FMLT-WV10-05

Formulate™ is a collection of sophisticated, ergonomically designed exhibit booths. Formulate combines state-of-the-art zipper pillowcase dye-sublimated fabric coverings with advanced lightweight aluminum structures to provide unique design, functionality, and style. The excellence of the Formulate line of displays, hanging structures and products is simply unmatched. Stretch fabric graphics are hand-sewn, durable and dry-cleanable.



## features and benefits:

- State-of-the-art 30mm aluminum tube frame with snap button assembly
- Four laminate color options available
- Countertop holds max 10 lbs / 4.5 kgs
- Kit includes: one frame, one dye-sublimated zipper pillowcase graphic, table, stand-off literature pockets, and one wheeled molded OCL and OCH2 storage case
- Lifetime hardware warranty against manufacturer defects

## dimensions:

Hardware	Graphic
<p>Assembled unit: 117.7" w x 96.2" h x 37.7" d</p> <p>Counter dimensions: 20.5" w x 1.2" h x 11.8" d</p> <p>Stand-off literature rack: 23.6" w x 92.7" h x 19.15" d</p> <p>Approximate weight (includes graphics): 49.63 lbs / 22.5 kgs</p>	<p>Refer to related graphic templates for more information</p> <p>Visit: <a href="http://www.exhibitors-handbook.com/graphic-templates">www.exhibitors-handbook.com/graphic-templates</a></p>
Shipping	
<p>Shipping dimensions - ships in two cases: One OCL case: 56" l x 19" h x 19" d One OCH2 case: 52" l x 29" h x 15" d</p> <p>Approximate shipping weight (with cases): 110 lbs / 50 kgs</p>	

## additional information:

Graphic materials:  
Dye-sublimated zipper pillowcase fabric,  
3mm white PVC

Table colors:



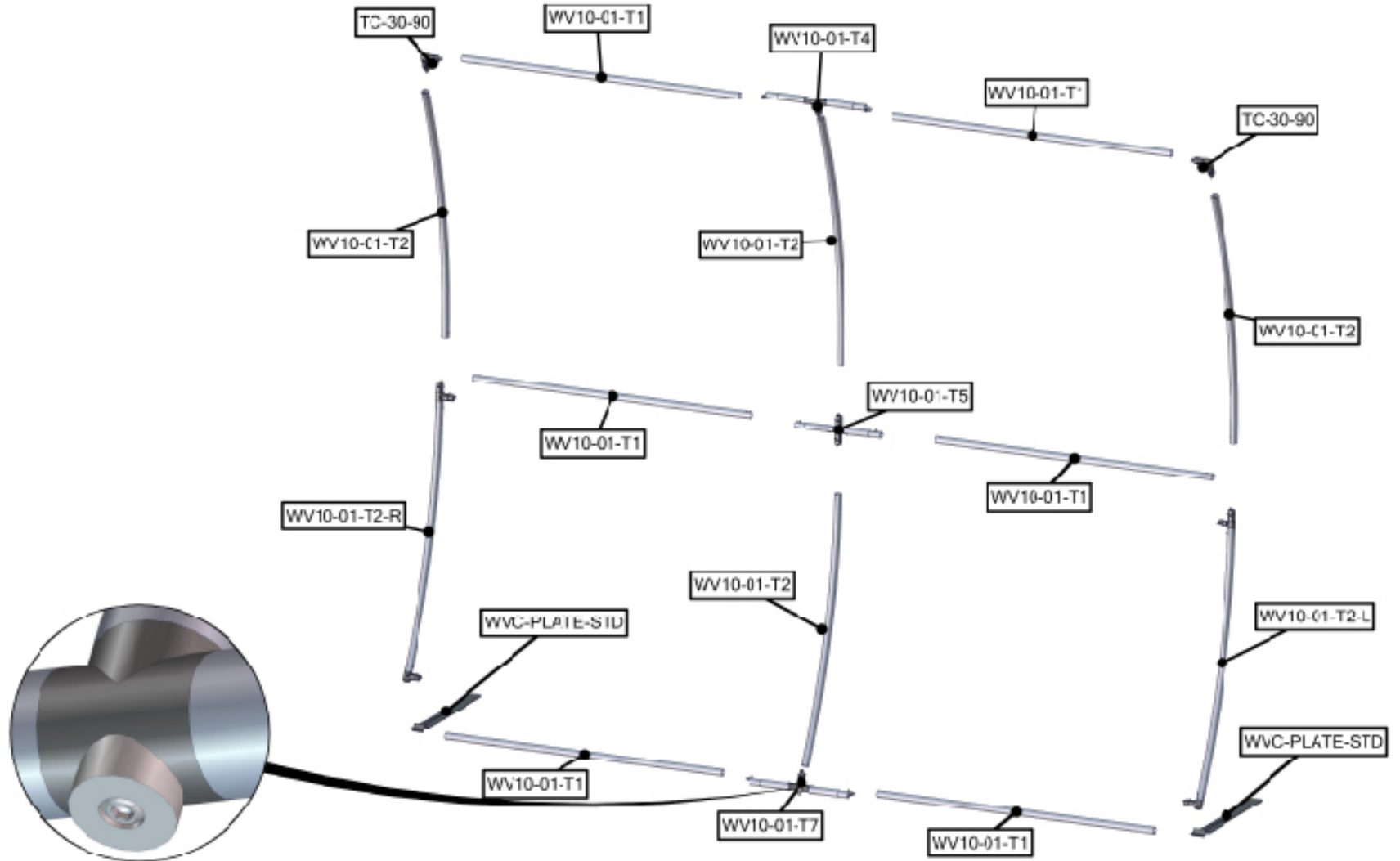
silver black mahogany natural



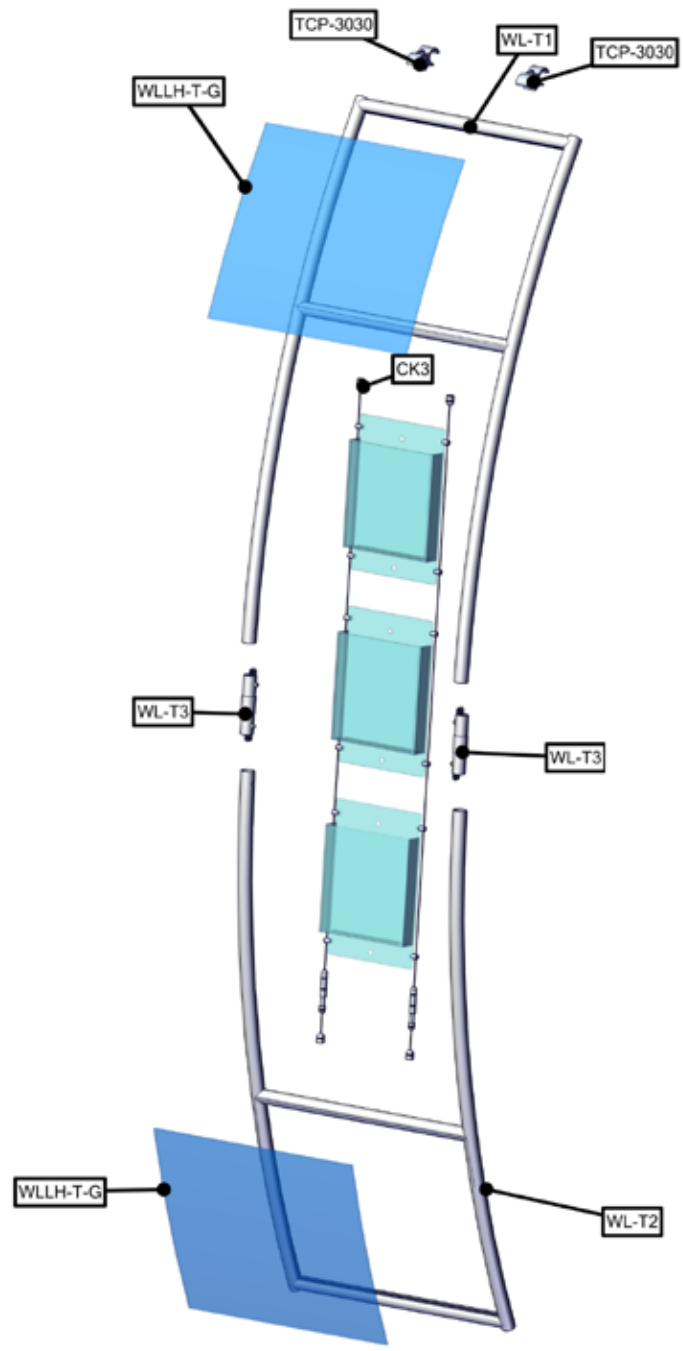
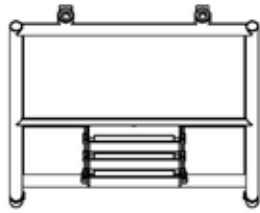
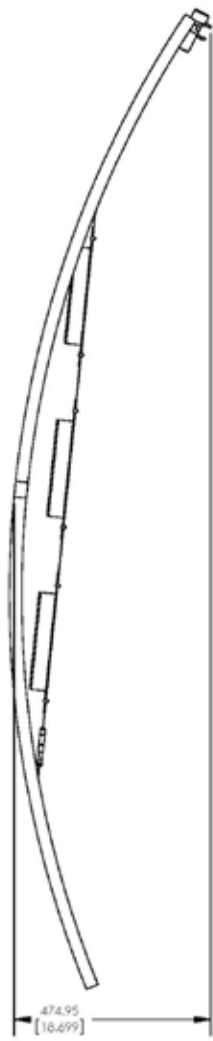
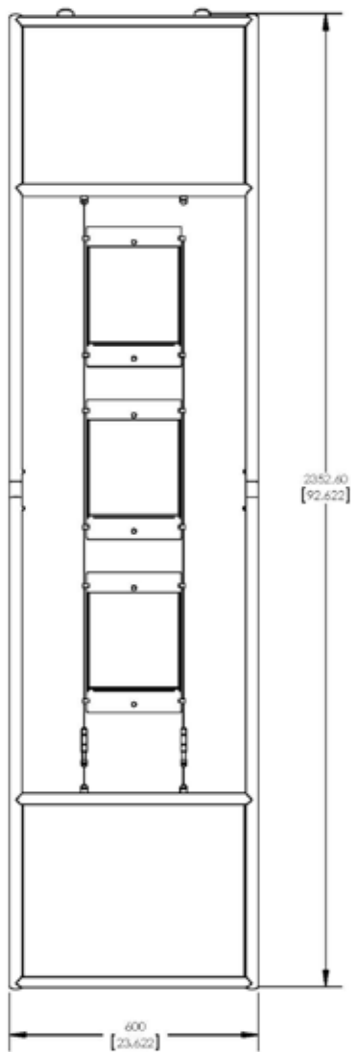
[www.display-setup-animations.com](http://www.display-setup-animations.com)

We are continually improving and modifying our product range and reserve the right to vary the specifications without prior notice. All dimensions and weights quoted are approximate and we accept no responsibility for variance. E&OE. See Graphic Templates for graphic bleed specifications.

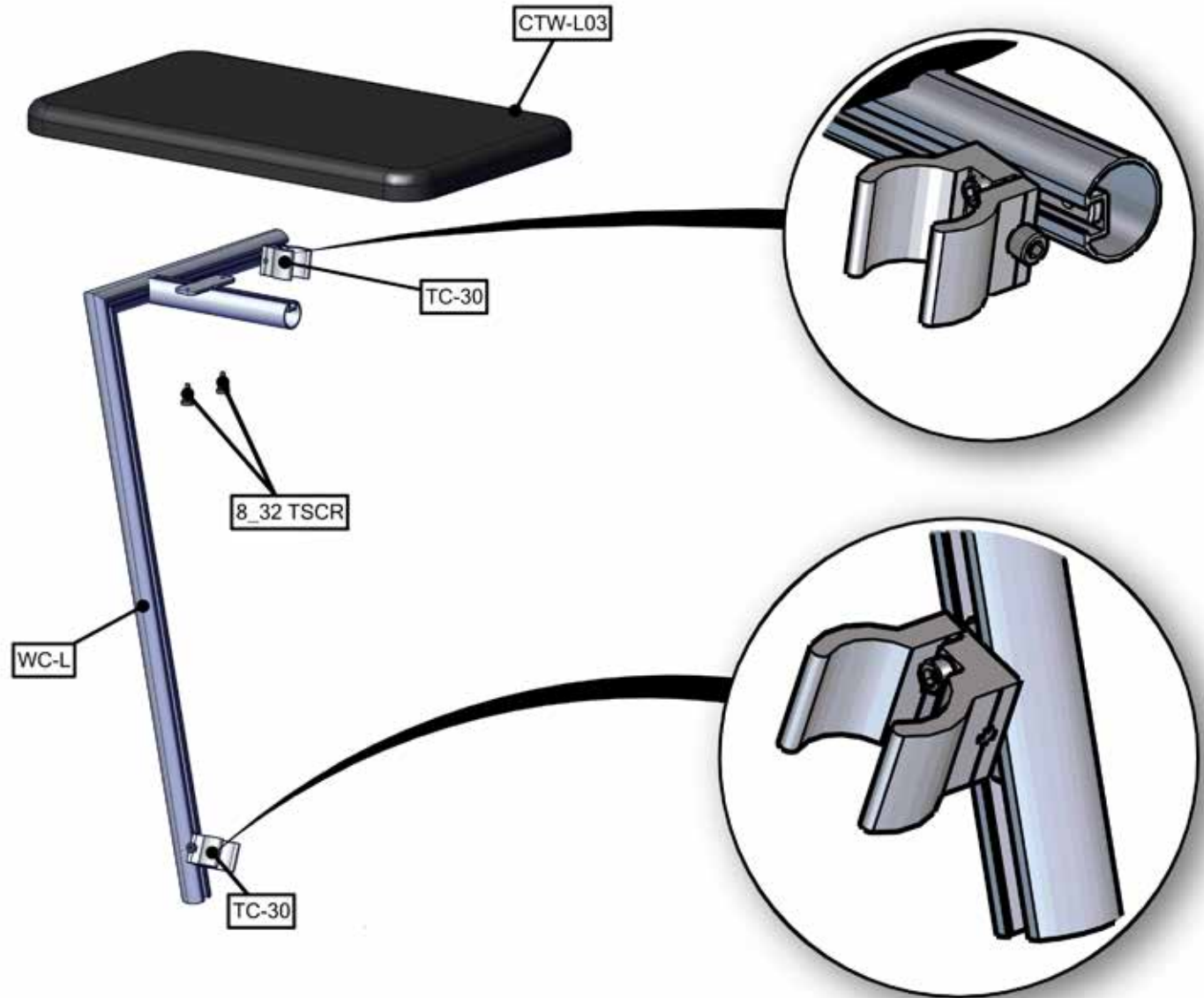
Parts Included		
Part Label	Qty	Part Code
FABRIC GRAPHIC	x1	WV10-01-G
LN114 BOLT	x2	LN114 BOLT
90 DEGREE ELBOW JOINT FOR 30MM TUBING	x2	TC-30-90
1270MM X 30MM TUBE	x6	WV10-01-T1
30MM CURVED TUBE WITH PART T AND 90B LEFT SIDE	x1	WV10-01-T2-L
30MM CURVED TUBE WITH PART T AND 90B RIGHT SIDE	x1	WV10-01-T2-R
R2250 (1163MM ARC) CURVED TUBE	x4	WV10-01-T2
(2) 128MM TUBES SWAGED WITH PART TC-30-T	x1	WV10-01-T4
(2) 128MM TUBES SWAGED WITH PART TC-30-T	x1	WV10-01-T7
(2) 128MM TUBES SWAGED WITH PART TC-30-X	x1	WV10-01-T5
STEEL PLATE FOR WVC	x2	WVC-PLATE-STD



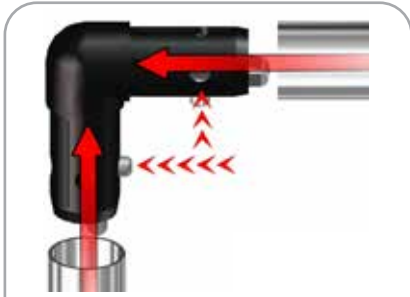
Parts Included		
Part Label	Qty	Part Code
CABLES WITH (3) LITERATURE POCKETS	x1	CK3
PARALLEL TUBE CLAMP FOR 30MM TUBES	x2	TCP-3030
30MM TUBE SECTION	x2	WL-T3
TOP SINTRA GRAPHICS	x2	WLLH-T-G
30MM TUBE SECTION	x1	WL-T2
30MM TUBE SECTION	x1	WL-T1



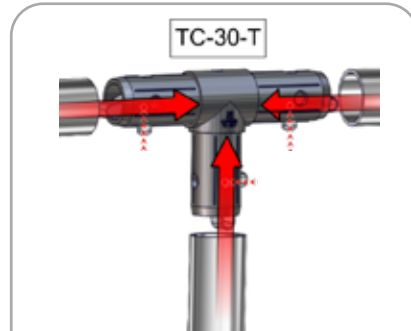
Parts Included		
Part Label	Qty	Part Code
8/32 THUMB SCREW	x2	8_32_TSCR
520 X 300 X 30 COUNTER	x1	CTW_L03
SILVER ANODIZE FINISH 30MM TUBE CLAMP	x2	TC-30
MOUNTED TABLE TOP WITH SUPPORT BRACKET LEFT OR RIGHT SIDE	x1	WC-L OR WC-R



## STEP 1: ASSEMBLE FRAME



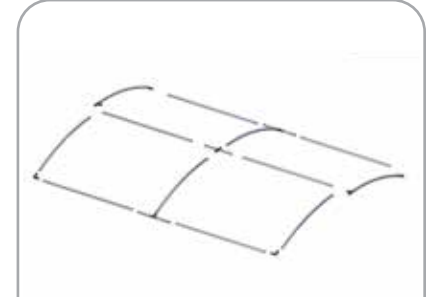
Assemble top frame corners using TC-30-90. Label codes will be on backside of tube. It is best to assemble frame laying flat.



Connect sides of frame by lining up holes with snap buttons.

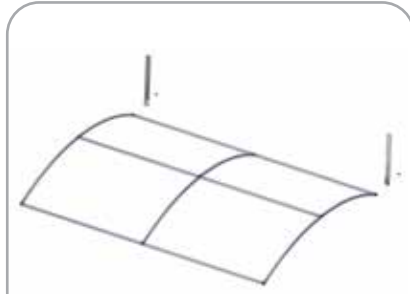


Use TC-30-90B to connect bottom frame corners; snap on button.



Frame assembly is complete once all sides and middle are connected.

## STEP 2: ATTACH FEET

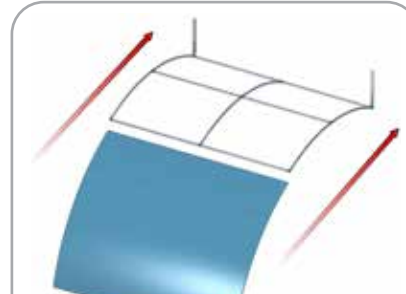


Attach feet with Allen key. See next step for detailed view.

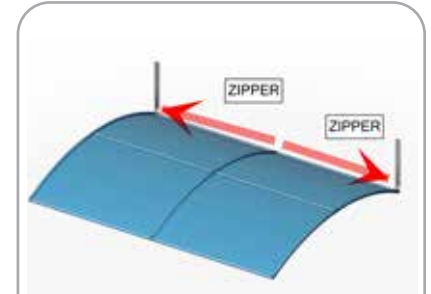


Using provided allen key, secure both feet (WVM-BP) to bottom of frame by tightening bolt.

## STEP 3: ATTACH GRAPHIC

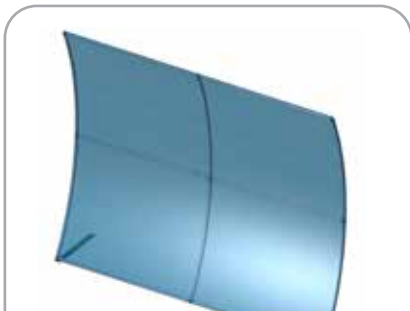


Slide graphic over top of frame.



Zip fabric closed as shown along bottom.

## STEP 4: ATTACH COUNTER TO HARDWARE

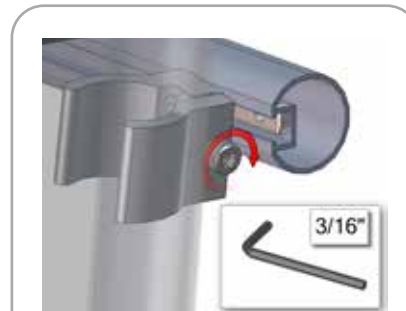


Stand unit upright.



Install counter to mounting tube with 8/32" thumb screws, repeat for second screw.

## STEP 5: ATTACH COUNTER TO BACKWALL

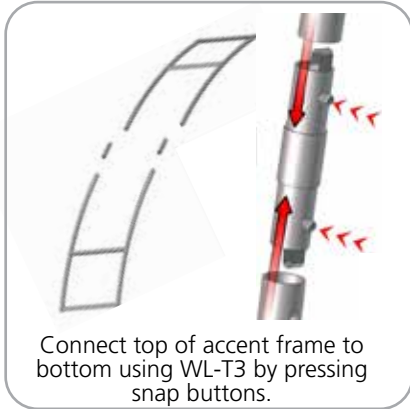


Secure tube clamp TC-30 around backwall at desired height and tighten with 3/16" hex key tool.

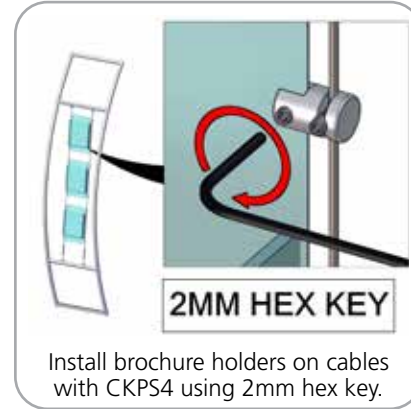
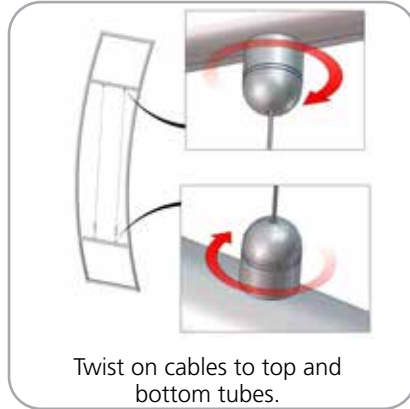


Secure second tube clamp TC-30 around backwall and tighten with 3/16" hex key tool.

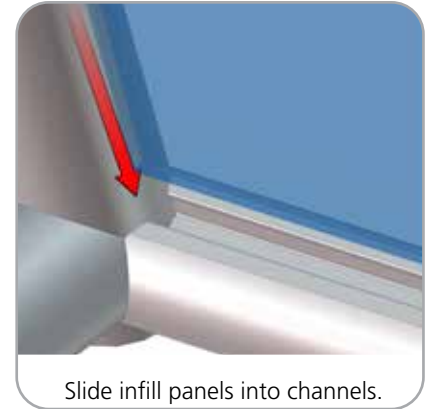
**STEP 6: ASSEMBLE STAND-OFF LADDER FRAME**



**STEP 7: ATTACH LITERATURE HOLDER**



**STEP 8: ATTACH GRAPHICS**



**STEP 9: ATTACH TO BACKWALL WITH CLAMPS**

